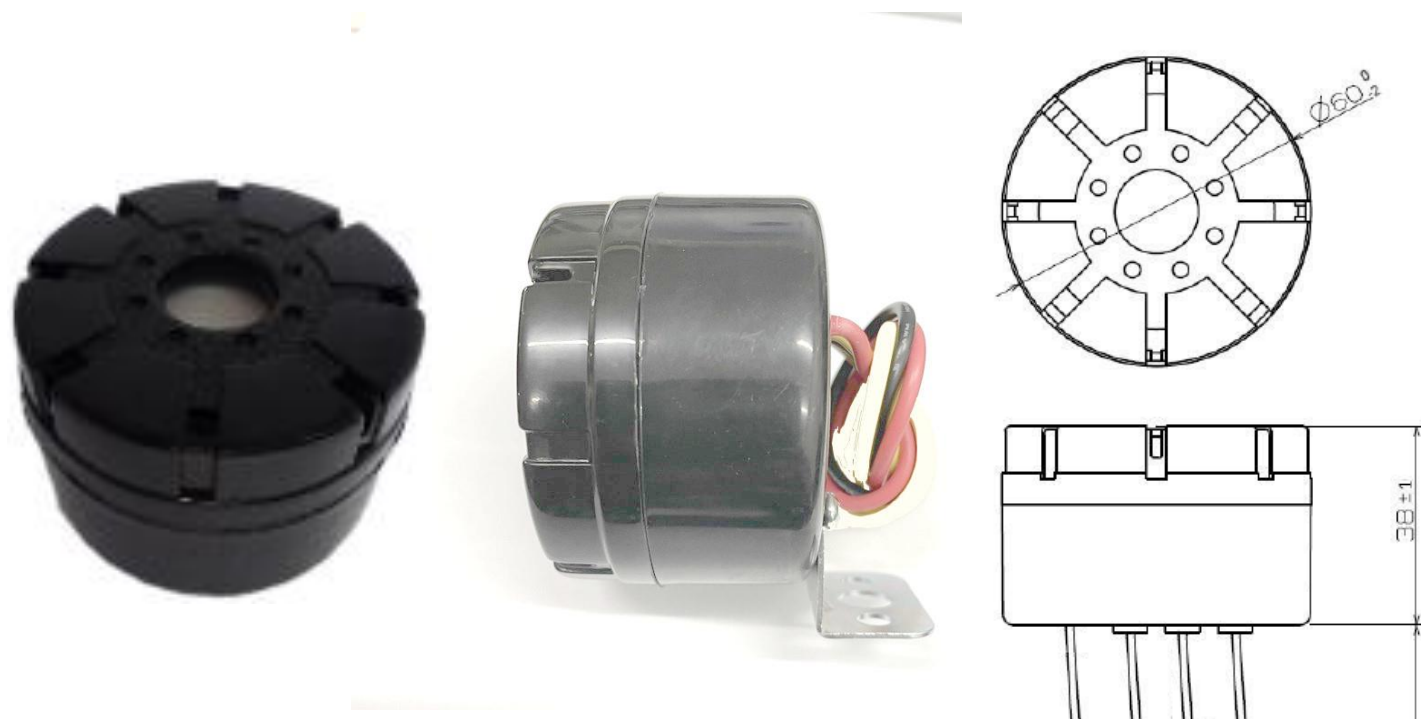


Model No:M60L-1224-6



CHARACTERISTICS OF MODEL NO:M60L-1224-6

Operation Voltage	12~24 VDC(Typical)
Operation Current	<60 mA
Sound	Single
S.P.L	95 ± 5 dB(at 1.5 Meter)
Operation Frequency	2.5 ± 0.5 KHz
Continue Operation Test	Over 4 hours (at DC-24V)
Housing Material	ABS
Operating temperature	-10°C Min to +60°C Max
Storage temperature	-15°C Min to +65°C Max
Features	<ul style="list-style-type: none"> ● Easy install with a steady ● With reverse polarity protection
User	<ul style="list-style-type: none"> ● General bus and truck buzzer ● Electric bus and truck buzzer