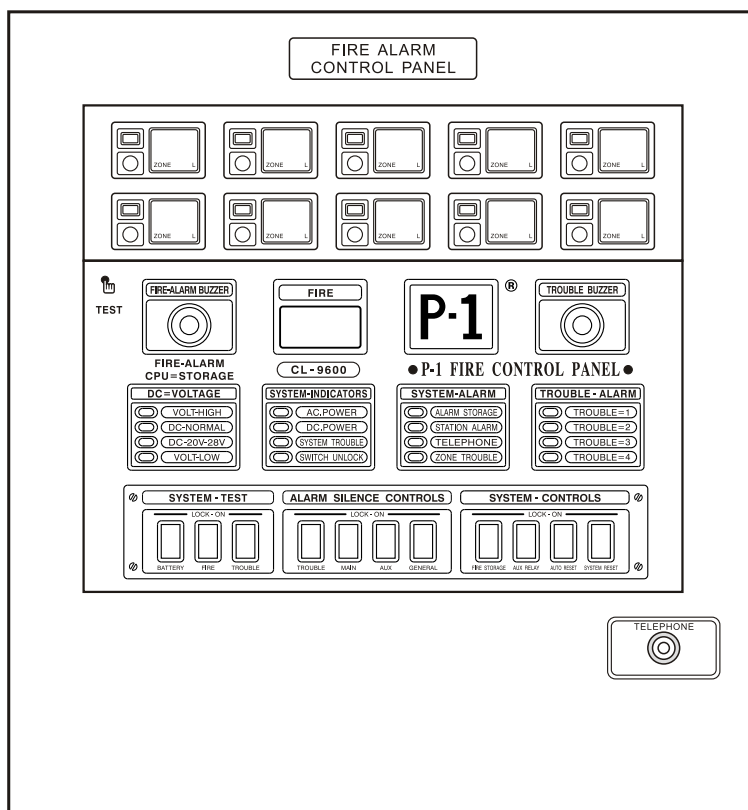


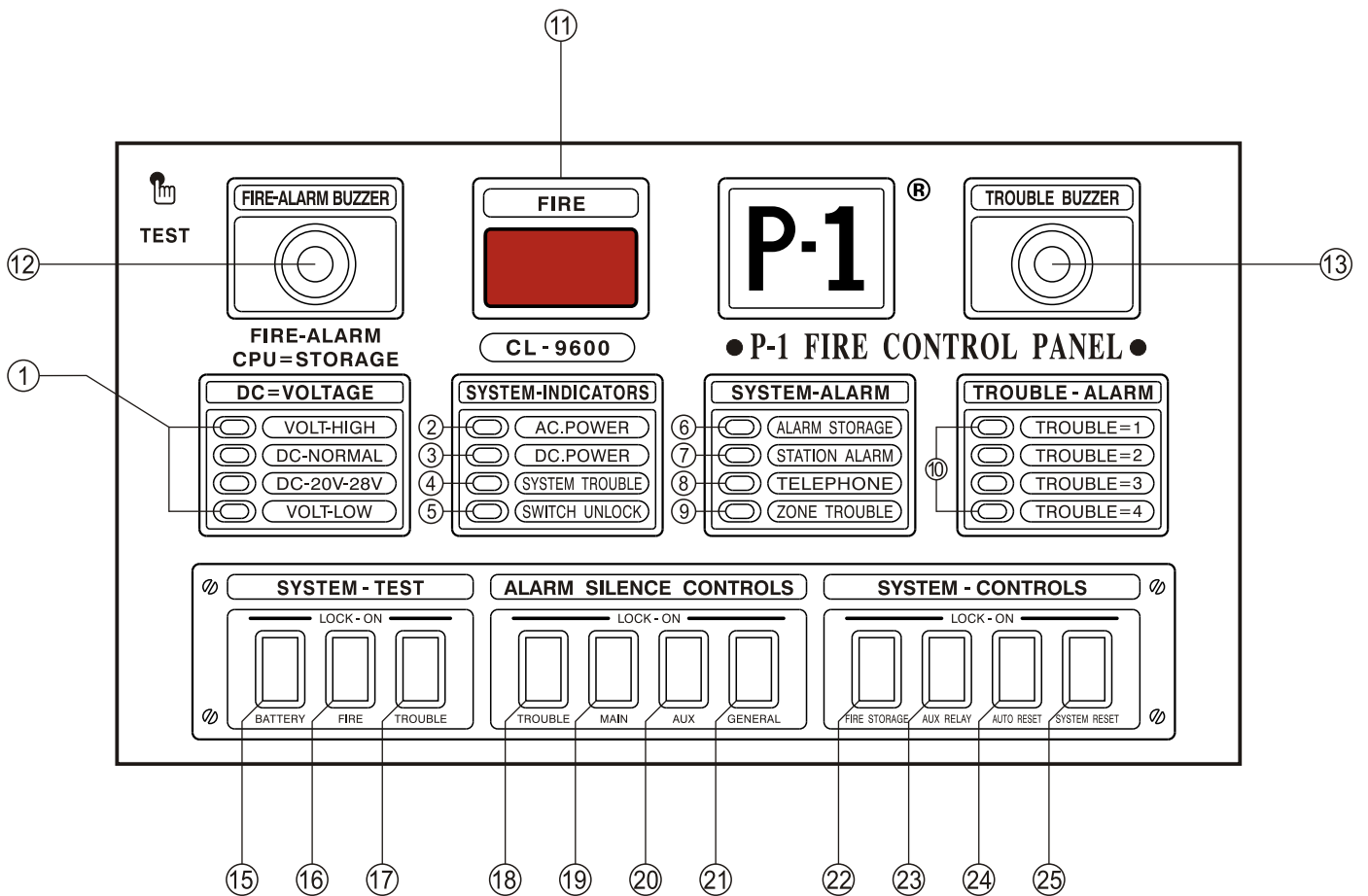
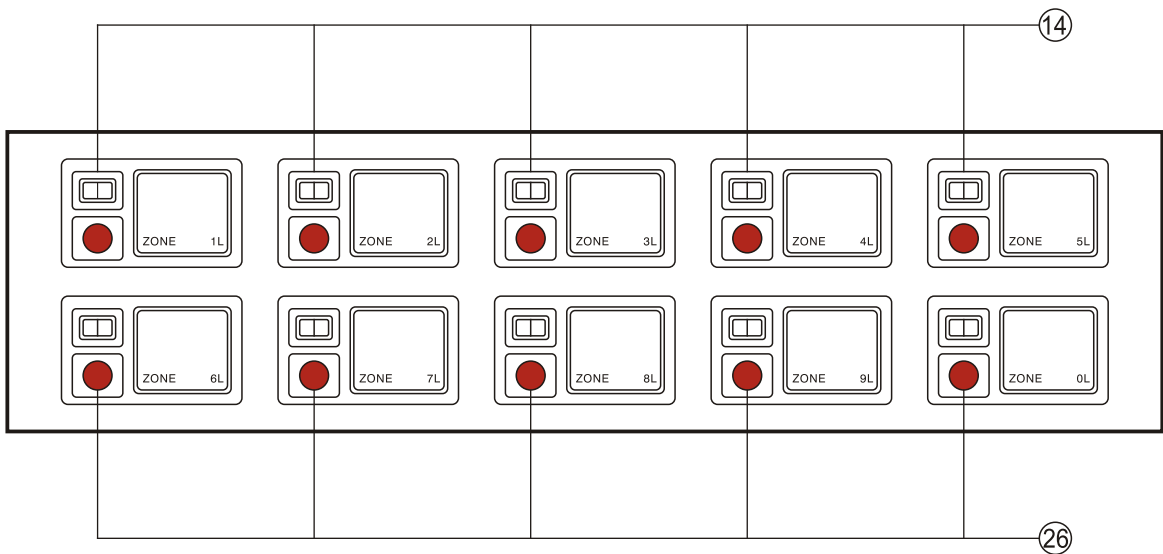
Fire Alarm Control Panel

CL-9600



Operation

2018.10



※ NORMAL CONDITION

The normal condition refers to a control panel with no active events.

- ◆ The green **AC POWER** LED is lit (steady indication) .
- ◆ The green **NORMAL** LED is lit (steady indication) .
- ◆ No other LED indications are given.

※ FIRE CONDITION

- ◆ The control panel is in fire condition, i.e it is signalling a fire alarm.
- ◆ The **FIRE** indicator (red LED) is flashing.
- ◆ The zone which has detected the fire is indicated by **ZONE FIRE** lights.
- ◆ The internal control panel **FIRE ALARM BUZZER** sounds.
- ◆ External alarm devices are activated. (Bell : 24VDC, Aux relay dry contacts : NO)

※ INDICATING LED

- ① DIGITAL VOLTMETER : Indicating regular power supply. (Normal : 20VDC ~ 30VDC)
- ② A C P O W E R : Red LED is Lit. The AC power connected to the control panel.
- ③ D C P O W E R : The AC power failure and the DC power connected to the control panel.
- ④ SYSTEM TROUBLE : Yellow LED is Lit. The fuse fault of main board.
- ⑤ SWITCH UNLOCK : Red LED is flashing once 1 secretary.
- ⑥ ALARM STORAGE : Double check the fire signal.
- ⑦ STATION ALARM : Red LED is Lit. The manual pull station are activated.
- ⑧ T E L E P H O N E : Red LED is Lit. Indicating the phone call.
- ⑨ ZONE TROUBLE : Red LED is Lit. Indicating zone open circuit fault.
- ⑩ T R O U B L E : Red LED is Lit. Indicating tank water below level or other trouble.
- ⑪ F I R E : Red LED is flashing. **Fire alarm !**
- ⑫ ALARM BUZZER : 85dB @ 1m (min.)
- ⑬ TROUBLE BUZZER : Zone open circuit : once 1 sec. Telephone & trouble alarm : always
- ⑭ Z O N E L E D : Illuminate steadily for fire, flashing for open circuit.

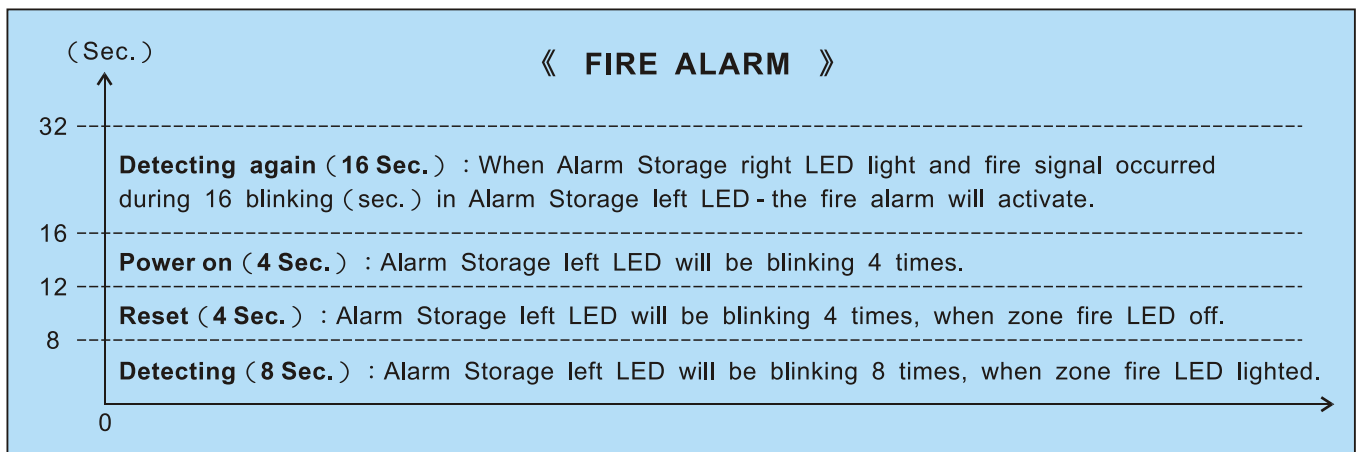
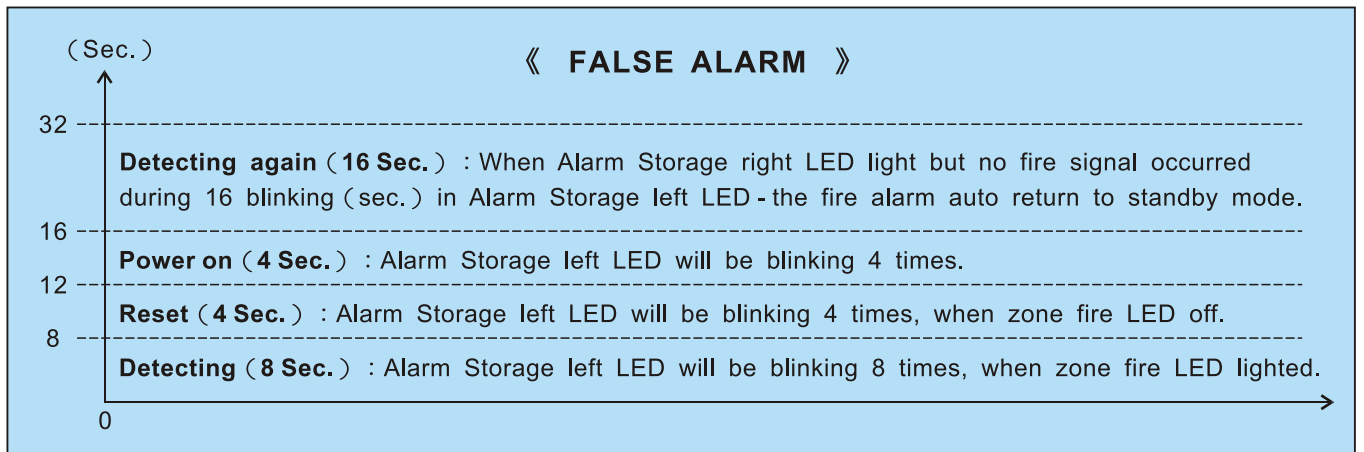
※ SWITCH OPERATION : UP - LOCK , DOWN - UNLOCK

- ⑮ Battery Test : Pressing the button will test the battery.
- ⑯ Fire Test : Unlock the switch to test zone fire circuit. (Test mode)
- ⑰ Trouble Test : Unlock the switch to test zone open circuit. (Test mode)
- ⑱ Trouble Silence : Unlock the switch to silence **TROUBLE BUZZER**.
- ⑲ Main Silence : Unlock the switch to silence **FIRE ALARM BUZZER**.
- ⑳ Aux. Silence : Unlock the switch will cause all sector sounder outputs to switch off.
- ㉑ G e n e r a l : Unlock the switch can be used to activate the alarm in the event of an emergency.
- ㉒ Fire Storage : Unlock the switch disable to double check the fire alarm signal.
- ㉓ Aux Relay : Unlock the switch to control the relay NC or NO output.
- ㉔ Auto Reset : Unlock the switch, auto reset to standby mode.
- ㉕ System Reset : Pressing the button will reset to standby mode.
- ㉖ Zone Test : Pressing the button will test zones fire / open circuit. (in test mode)

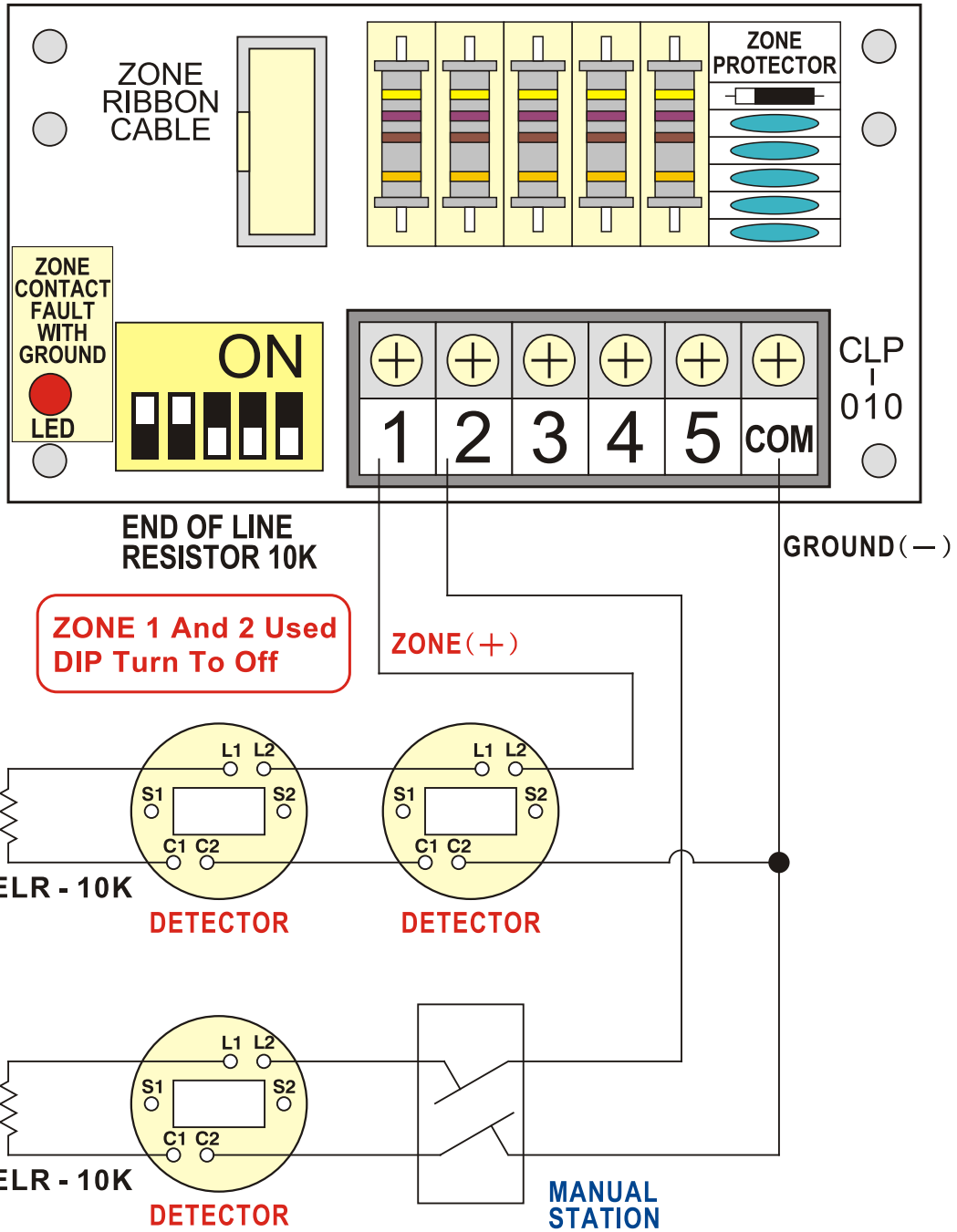
※ SPECIFICATIONS

Model	CL-9600
Standard	CNS .8877 .Z2044
Power	220 VAC , 50 / 60 Hz
Battery	24 VDC / 1.2 ~ 4Ah
Circuit Voltage	24VDC , (18VDC ~ 30VDC)
E.O.L Resistor	10K Ω ELR (1/4 ~ 1/2W Resistor)
Alarm Buzzer	DC 24V 90dB
Aux. Relay	AC 220V 5A (550VA)

● FIRE STORAGE (for double check) ●

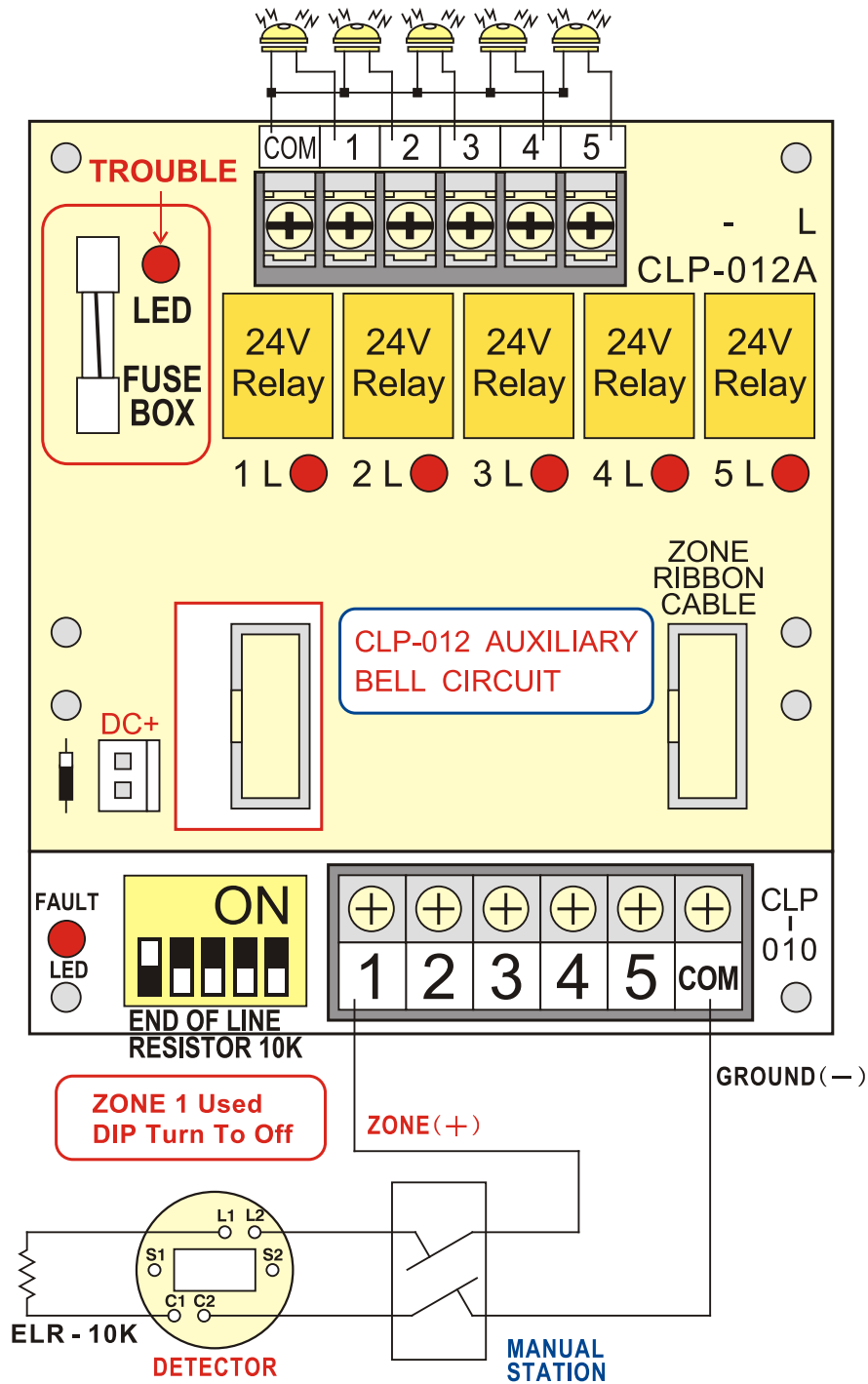


CLP-010 Remote Command Input Connections



CLP-010 Remote Command Input Connections

CLP-012 With Aux CONTROL DC 24V OUT/PUT



CLP-016 Field Wiring the Main Power Supply

